

AT-100

Automation Technology for DP Coaters and TC Ovens



Automation Technology

Taiyo Circuit Automation's AT-100 series is a multi-axis robotic system, specially designed to automate TCA's semi-automatic equipment.

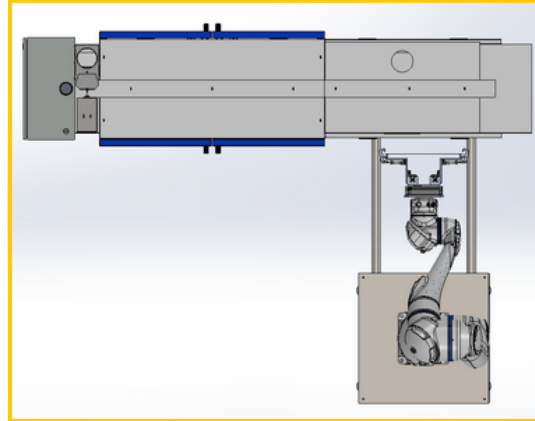
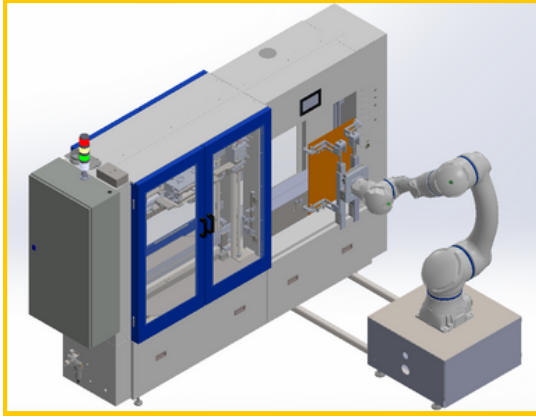
AT-100 Features

- Automates semi-automatic DP coaters
- Automatically feeds panels into TCA's TC series oven racks without human assistance
- Increases production efficiency
- Can be configured/designed to fit factory layout
- Can switch between high-speed mode operation and safety/collaborative mode with Safety Laser Scanner
- Is Compatible with TCA's DP1500, DP2500, and DP3500
- Reduces labor costs

Visit TCA Website!



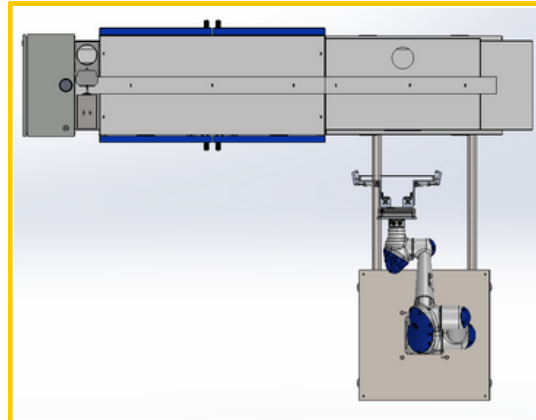
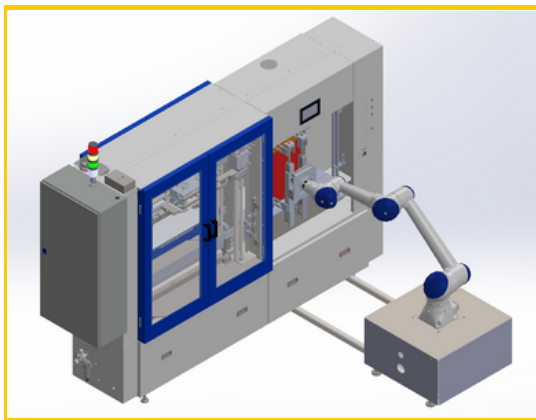
AT-100: Automation Technology (5Kg Payload)



Specifications

- Maximum Reach: 1900mm (74.8")
- Effective Reach: 1700mm (87")
- Working Height: 2088mm (82")
- Weight: 250kg (550 lbs.)
- Repeatability: 0.05mm
- Safety: Safety Laser Scanner
- Compressed Air: 100psi, 1cfm
- Maximum Linear Speed Non-Collaborative Mode: 2000mm/sec (78.7in/sec)
- Maximum Linear Speed Collaborative Mode: 1000mm/sec (39.3in/sec)
- Electric Requirement: 208-230VAC/380-480VAC, 3 Phase, 30Amp, 50/60Hz
- Option: Modular Load/Unload Layout

AT-100 ST: Automation Technology (2Kg Payload)



Specifications

- Maximum Reach: 1100mm (43.4")
- Effective Reach: 994mm (39.13")
- Working Height: 2027mm (79.8")
- Weight: 160kg (352 lbs.)
- Maximum Linear Speed Collaborative Mode: 1100mm/sec (39.3"/sec)
- Repeatability: 0.1mm
- Safety: Safety Laser Scanner
- Electric Requirement: 100-240VAC, 1 Phase, 30Amp, 50/60Hz
- Compressed Air: 100psi, 1cfm
- Option: Modular Load/Unload Layout